



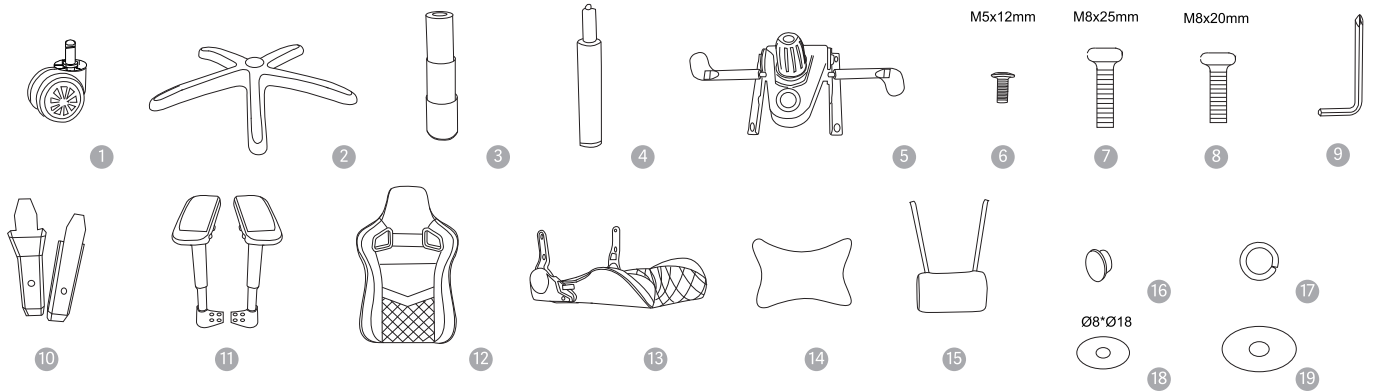
 NEWSKILL

# OSIRIS ZEPHYR

INSTRUCTION GUIDE

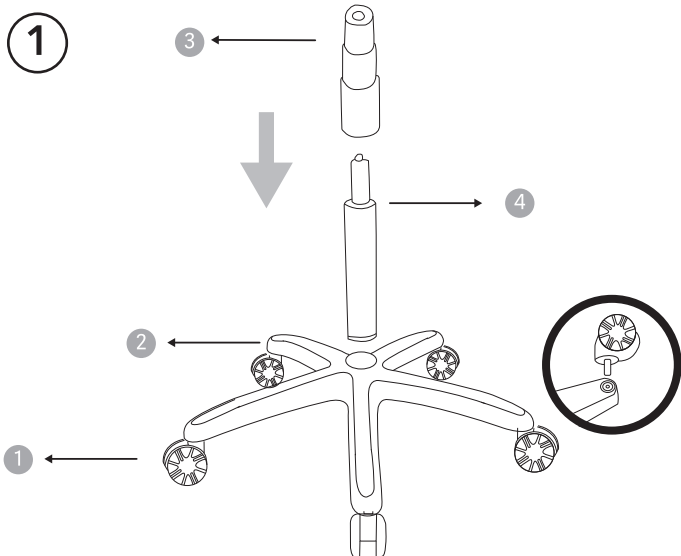
# OSIRIS ZEPHYR INSTRUCTION GUIDE

## COMPONENTS

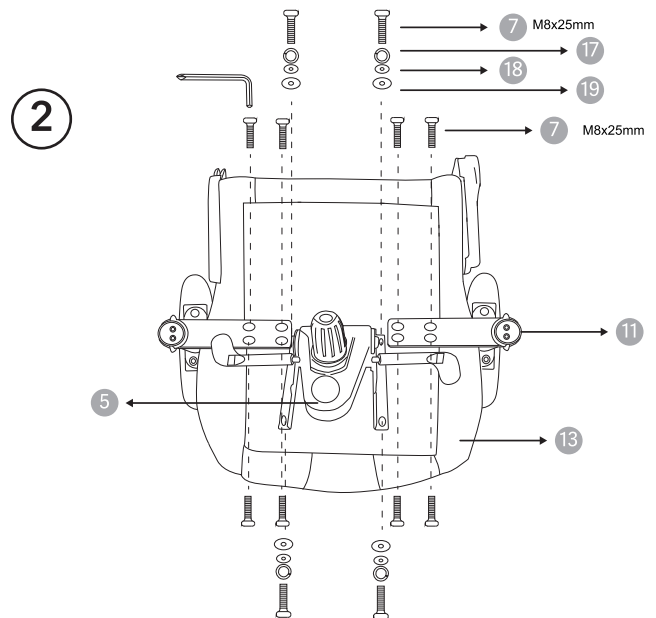


- |                   |                       |                            |                            |
|-------------------|-----------------------|----------------------------|----------------------------|
| 1. Castors X5     | 6. M5x12mm Screws X2  | 11. Arm rests              | 16. Side cover X4          |
| 2. Base           | 7. M8x25mm Screws X12 | 12. Backrest               | 17. M8" Anti-slip screw X4 |
| 3. Gas Lift Cover | 8. M8x20mm Screws X4  | 13. Seat                   | 18. Ø8*Ø18 Gasketx4        |
| 4. Gas Lift       | 9. Hex Key            | 14. Lumbar Support Cushion | 19. M8 RubberGasketx4      |
| 5. Mechanism      | 10. Side Covers       | 15. Cushion                |                            |

## MOUNTING STEPS



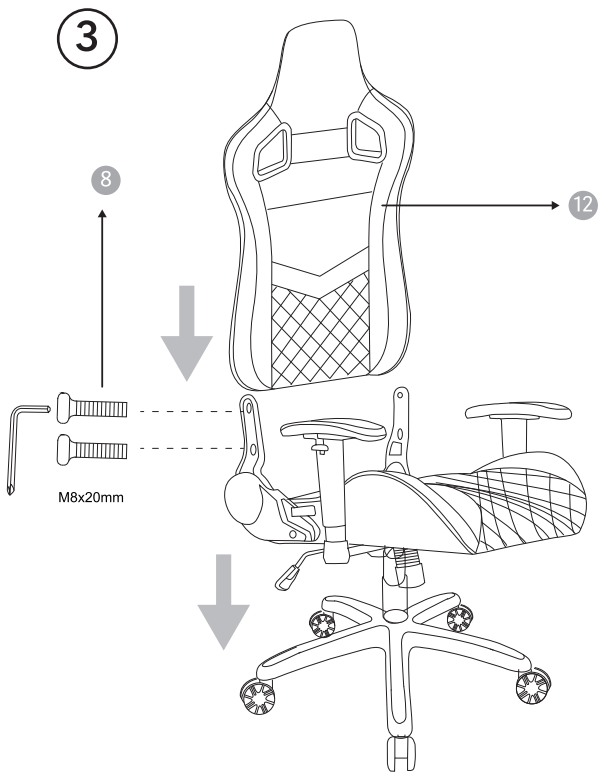
Push and twist the wheels into the star base. And place the cylinder cover over the gas lift.



Align the butterfly mechanism with the screw holes at the bottom of the seat as shown in image above.

### The Rubber Gasket

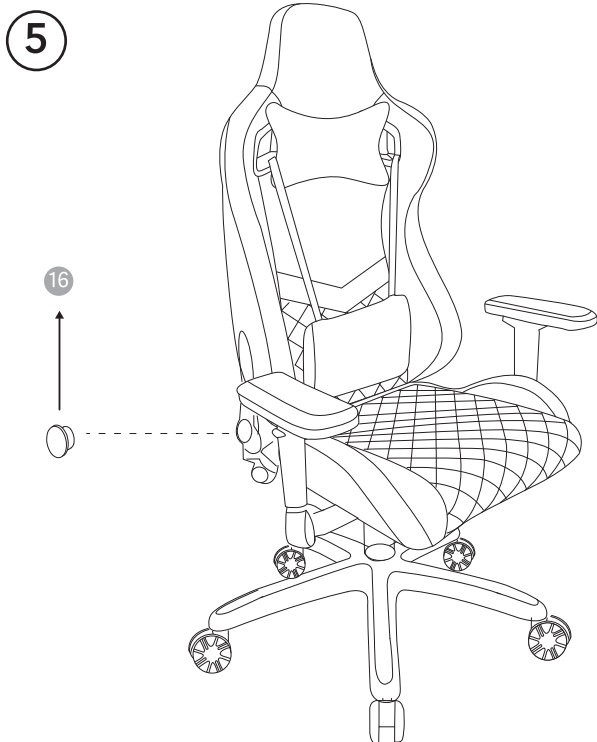
Rubber gaskets can reduce the noise when the chair is in motion. You can choose whether to install it.



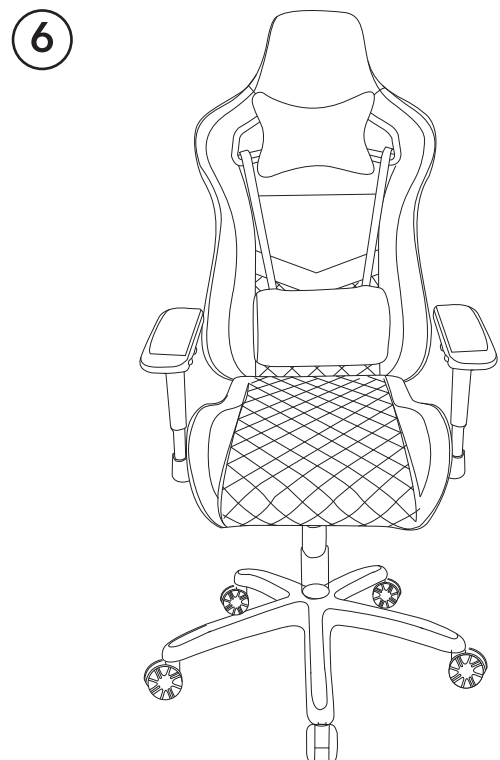
Attache the seats to the base.



Fasten the side covers.



Put the small side cover on



Finish

**GOT QUESTIONS?**

Go [newskillgaming.com](http://newskillgaming.com)





## ATTENTION!

1. Verify all parts before assembly.
2. The pictures in this guide may not look like your chair, but the instruction guide is the same regardless of model.
3. Do not use the chair unless all the bolts and screws are tight.
4. At least every six months check all bolts and screws to ensure they are tight.
5. Do not use this chair as a step stool/ladder.

**GOT QUESTIONS?**

Go [newskillgaming.com](https://newskillgaming.com)



[newskillgaming.com](https://newskillgaming.com)